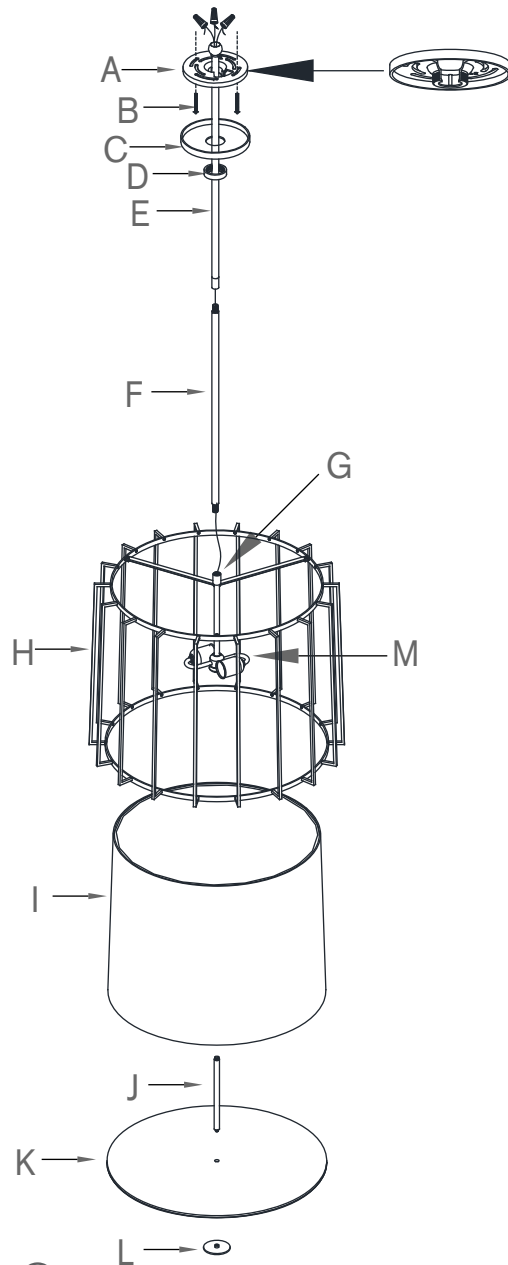


ASSEMBLY INSTRUCTIONS



Carousel Large Drum Lantern Item # BBL 5014

WE RECOMMEND INSTALLATION OF THIS LIGHTING FIXTURE BE DONE BY A LICENSED ELECTRICIAN.

WARNING * SWITCH OFF THE MAIN ELECTRICAL SUPPLY FROM THE MAIN FUSE BOX/CIRCUIT BREAKER BEFORE INSTALLATION.**

INSPECT ITEM CAREFULLY BEFORE ATTEMPTING TO INSTALL. IF THERE IS ANY DAMAGE OR OBVIOUS DEFECT, DO NOT INSTALL.

ITEM MAY NOT BE RETURNED ONCE IT HAS BEEN INSTALLED.

1. Carefully remove all parts from the carton.
2. Remove mounting plate (A) from canopy (C) by removing canopy ring (D) in counter-clockwise direction.
3. Feed wire through the pole (F) and (E).
4. Thread pole (F) into the joint (G) on light fixture by turning in a clockwise direction.
5. Thread pole (E) onto the nipple of pole (F) by turning in a clockwise direction.
6. Affix mounting plate (A) to ceiling outlet box with mounting screws (B) provided.
7. Slide canopy ring (D) and canopy (C) on pole (E).
8. Attach the bare copper ground wire from the fixture to the ground junction box wire (usually green or copper), fasten together with a plastic wire connector. Tightly wrap the wire connector with electrical tape. Be sure no wire strands are exposed. IT IS IMPERATIVE THAT THE OUTLET BOX IN YOUR HOME BE PROPERLY GROUNDED.
9. Connect neutral wire from fixture (ribbed molded wire) to the neutral wire from the junction box (usually white) . Fasten both wires together with a plastic wire connector and tightly wrap the wire connector with electrical tape. Be sure no wire strands are exposed.
10. Connect the hot wire from the fixture (smooth wire) to the hot wire (usually black) from the junction box. Fasten both wires together with a plastic wire connector and wrap the connection with electrical tape. DO NOT REVERSE THE HOT AND NEUTRAL CONNECTIONS OTHERWISE SAFETY WILL BE COMPROMISED.
11. Tuck wire connections neatly into ceiling outlet box.
12. Attach canopy (C) to the affixed mounting plate (A) and secure with canopy ring (D).
13. Insert light bulbs (not included) into sockets.
14. Thread connection rod (J) into bottom opening of socket bracket (M), remove finial (L) from bottom of connection rod (J).
15. Insert shade (I) into cage (H), followed with acrylic diffuser (K) onto the bottom opening of cage (H) let the connection rod (J) pass through the hole of acrylic diffuser (K) and secure with finial (L).
NOTE: The sandblasted side of acrylic diffuser should be facing up to the sockets.
16. Installation is complete. Restore power and test fixture.

*** Clean with a dry, soft cloth only. Use no harsh abrasives or chemical agents.



VISUAL COMFORT & Co. Est. 1987