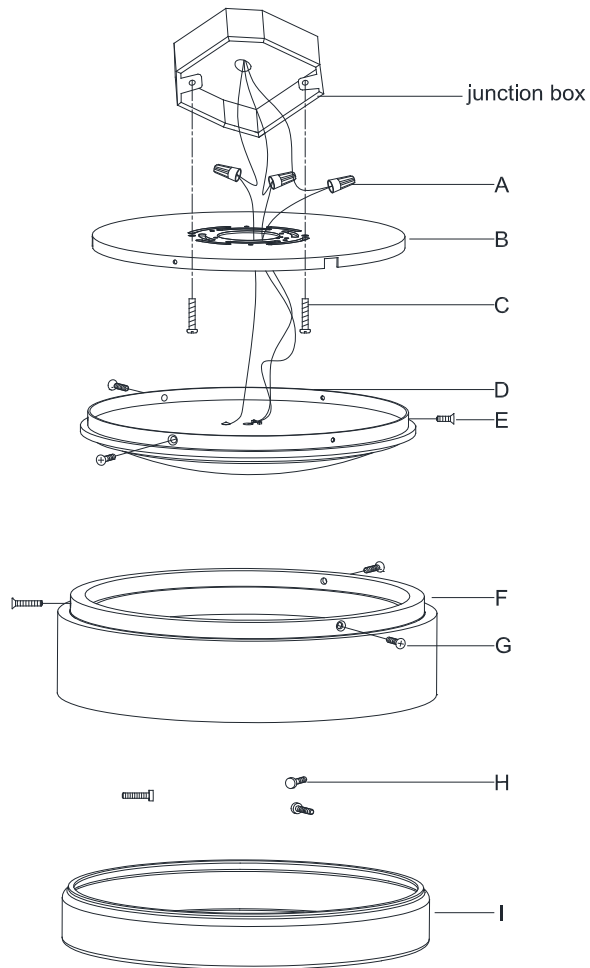


## ASSEMBLY INSTRUCTIONS



## Shaw Small Flush

Item # S 4041

**WE RECOMMEND INSTALLATION OF THIS LIGHTING FIXTURE BE DONE BY A LICENSED ELECTRICIAN.**

**WARNING\*\*\*SWITCH OFF THE MAIN ELECTRICAL SUPPLY FROM THE MAIN FUSE BOX/CIRCUIT BREAKER BEFORE INSTALLATION.**

**INSPECT ITEM CAREFULLY BEFORE ATTEMPTING TO INSTALL. IF THERE IS ANY DAMAGE OR OBVIOUS DEFECT. DO NOT INSTALL.**

**ITEM MAY NOT BE RETURNED ONCE IT HAS BEEN INSTALLED.**

**NOTE: CAREFULLY UNPACK EACH PIECE IN TOP LAYER OF PACKING PRIOR TO REMOVING. RETAIN ALL PACKING MATERIAL UNTIL INSPECTION AND INSTALLATION ARE FINAL.**

1. Carefully remove all parts from the box.
2. Remove the fixture body (F) from the backplate (D) by loosening the side screws (G).
3. Remove the mounting plate (B) from the backplate (D) by loosening the side screws (E).
4. Affix mounting plate (B) onto the junction box and secure with mounting screws (C).
5. Connect ground wire from the fixture (bare copper) to ground wire from the junction box (usually green or copper in color) using wire nut (A).
6. Connect the neutral wire (WHITE) from the fixture to the neutral wire (usually white) from the junction box using wire nut (A).
7. Connect the hot wire (BLACK) from the fixture to the hot wire (usually black) from the junction box using wire nut (A).
8. Attach the backplate (D) to the mounting plate (B) and secure with side screws (E).
9. Attach the glass shade (I) to the fixture body (F) and secure with screws (H).
10. Attach the fixture body (F) to the backplate (D) and secure with side screws (G).
11. Installation is complete, turn on power at fuse or circuit breaker.

\*\*\*Clean with a dry, soft cloth only. Use no harsh abrasives or chemical agents.