

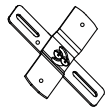
ASSEMBLY AND INSTALLATION INSTRUCTIONS

T0197 T0490

WARNING: TO AVOID RISK OF ELECTRICAL SHOCK, BE SURE TO SHUT OFF POWER BEFORE INSTALLING OR SERVICING THIS FIXTURE.

NOTES: 1. Before installing, consult local electrical codes for wiring and grounding requirements.
2. Read and save these instructions.

Hardware Package (included):



Cross Bar (A)



Mounting Screw (B)



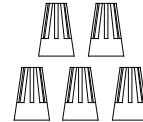
Green Grounding Screw (C)



Headless Screw (D)



Lock Nut (E)



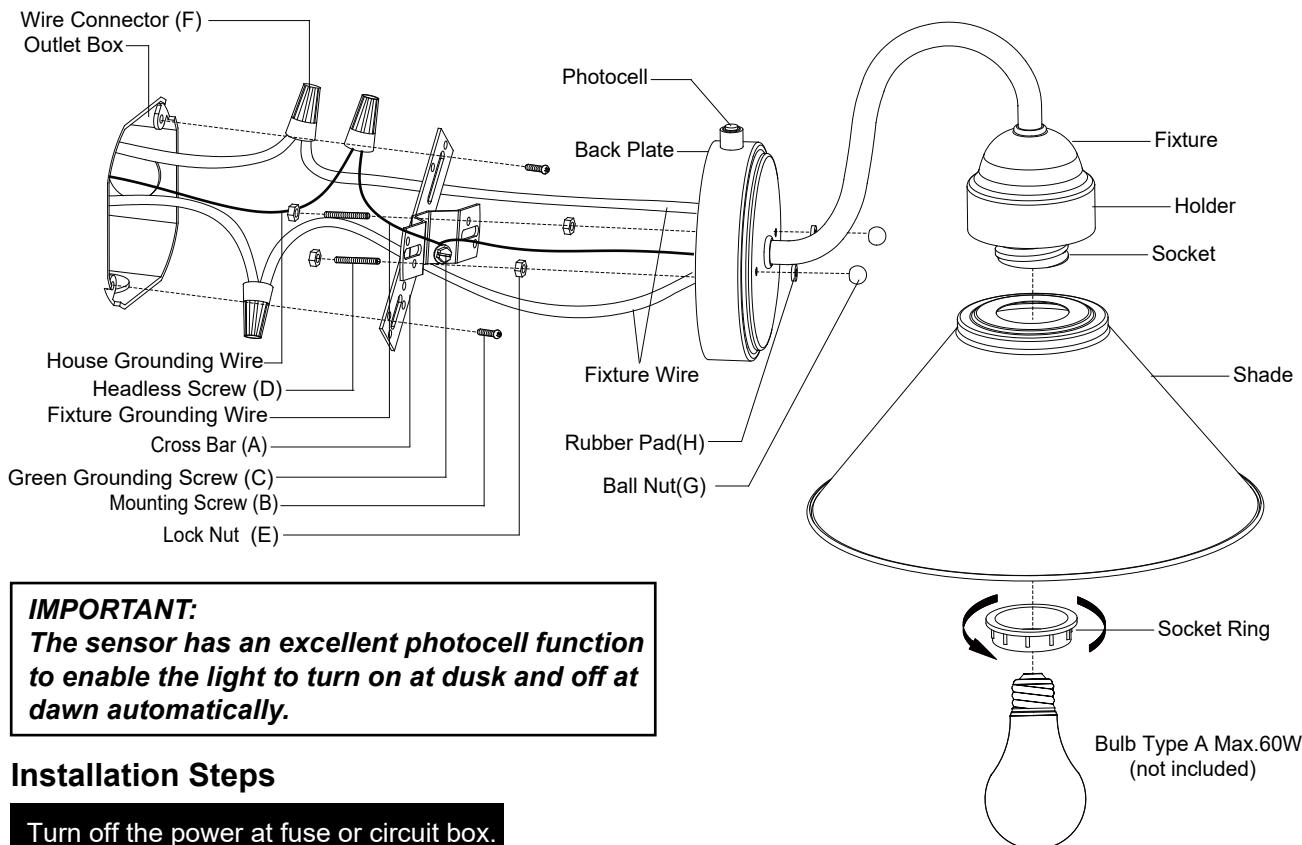
Wire Connector (F)



Ball Nut (G)



Rubber Pad (H)



4. Attach the fixture to the cross bar (A) by inserting fixture mounting screws into holes on back plate, and then secure it with two rubber pads (H) and two ball nuts (G).

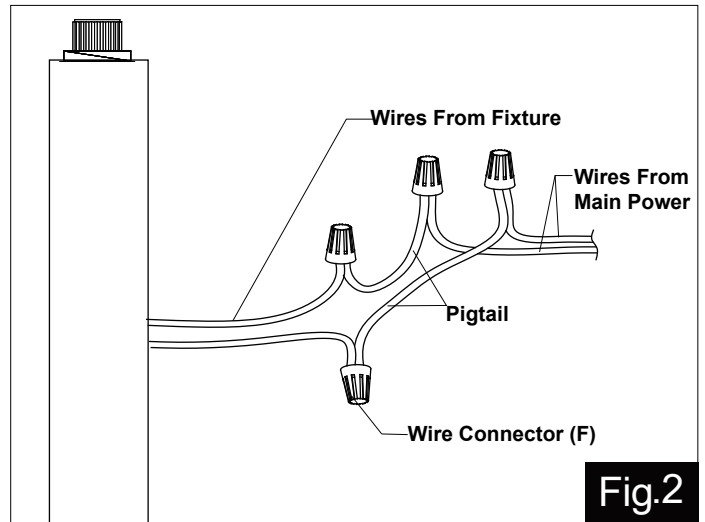
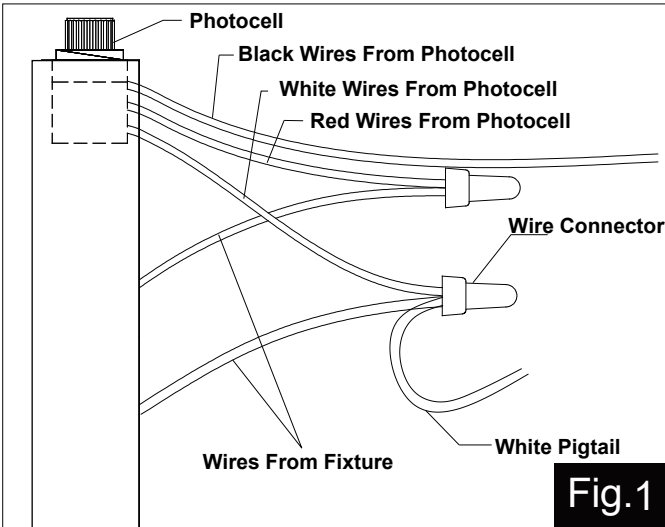
NOTE: With silicone caulking compound, caulk completely around where the back plate meets with the wall surface to prevent water from seeping into the outlet box.

5. Attach the shade to the socket, and then secure it with the socket ring.

6. Install a bulb (not included). Check relamping label at socket area or packaging for maximum allowed wattage.

Turn on the power at fuse or circuit box.

Operation the Unit Without Photocell



1. Turn off the power at the fuse or circuit box before starting installation.

2. Loosen the wire connectors connected with the wires from photocell. (See Fig.1)

Note: Do not move the photocell to prevent water from seeping into the outlet box.

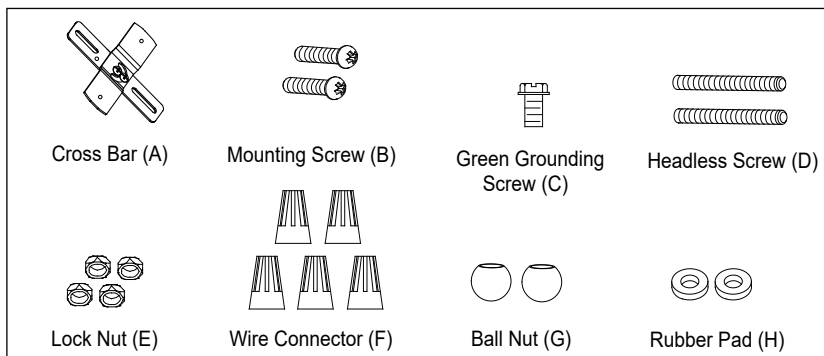
3. Take a white pigtail and black pigtail and make wire connections using wire connectors (F): (See Fig.2)

- a. The black wire from the fixture to one end of the black pigtail.
 - b. The white wire from the fixture to one end of the white pigtail.
 - c. The other end of the black pigtail to the black wire from the power source.
 - d. The other end of the white pigtail to the white wire from the power source.
- Put all wires back into the back plate of the fixture.

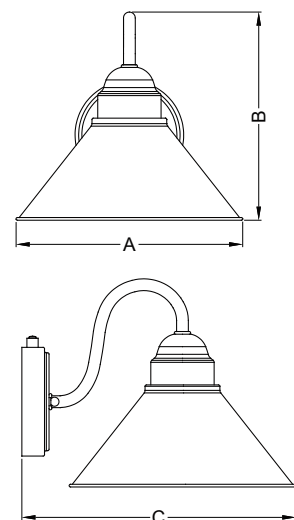
Turn on the power at fuse or circuit box.

The following parts are available for re-order if damaged or missing.

Spare Parts List:



Assembly Kit
5486MM (1 SET) for T0197
5994MM (1 SET) for T0490



A: 10"
B: 9"
C: 11-3/4"